

VINCI

MOD. 2020 / MY 2020



Vinci

Congratulations for your new Deda Elementi handlebar and/or stem. Please read these instructions carefully and follow them for correct use. An improper installation or wrong application of the instructions could damage the product, that will be no more covered under warranty, damage the bicycle or cause an accident resulting in injury or death. Since specific tools and experience are necessary for proper installation, it is recommended that the product be installed by an official Deda Elementi dealer or a qualified bicycle technician.

CONTENTS

ENG

1	GENERAL SAFETY INFORMATION	pag. 4
2	WARRANTY	pag. 5
3	PACKAGING	pag. 6
4	CABLES ROUTING	pag. 8
5	TECHNICAL SPECIFICATIONS	pag. 11

It is under user's responsibility to examine the product on a regular basis to determine the need for service or replacement. Handlebars, stems and their components are products that wear from normal use of the bicycle, for that reason we recommend cyclists to regularly inspect their bicycle and parts in order to detect any damage. If any doubts or problems occur, discontinue riding and have them inspected by an official Deda Elementi dealer or a qualified bicycle technician.

- This handlebar has been designed and intended to be used on normal paved surfaces. In case of use on not paved surfaces or off-road, the product can be subjected to damages, lose its functioning and cause serious accidents and injury for the user.
- If any bicycle fall or accident occurs, discontinue riding the bicycle and have it inspected carefully by an official Deda Elementi dealer or a qualified bicycle technician. The use of any damaged bicycle part can cause serious accidents and injury for the user.
- Read the whole User's Manual carefully and keep it in a safe place for later reference.

Deda Elementi warrants that all products are free from defects in materials or workmanship for a period of two years after original purchase unless otherwise stated on the Warranty policy.

The Warranty is valid with the purchase of an original Deda Elementi products only.

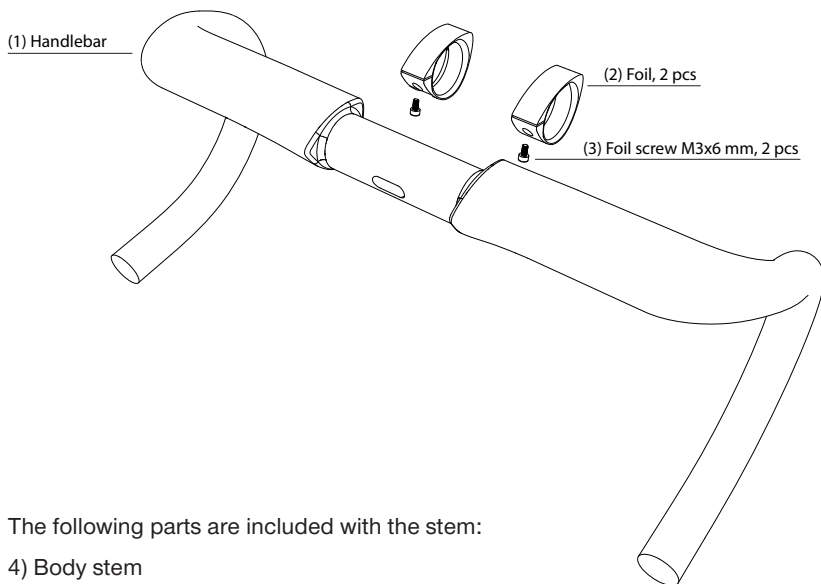
2.1 LIMITS OF WARRANTY

- In case of sale or product cession, the Warranty will be considered valid for two years period only from the original purchase.
- The Warranty doesn't cover damages caused by modifications, even small; any kind of adaptations or alterations; maintenance performed by an unauthorized people; use of the product outside the normal riding conditions on paved road surfaces. The Warranty doesn't cover even damages caused by impacts, collisions, falls that may occur for accidental reasons.
- The Warranty doesn't cover aesthetic defects like: matting, chap, fading or other phenomenons that may occur during the use and after the bicycle cleaning using water in pressure, solvents or similar products, petrol.
- In case of imperfections, defects or damages found on the product, the user is asked to contact the dealer within 10 (ten) days; after this period ends the Warranty and it will be no more considered eligible.

Dedaindustrie S.r.l. reserves the right to modify partially or completely the products, instructions and warranty without any notice to the customer.

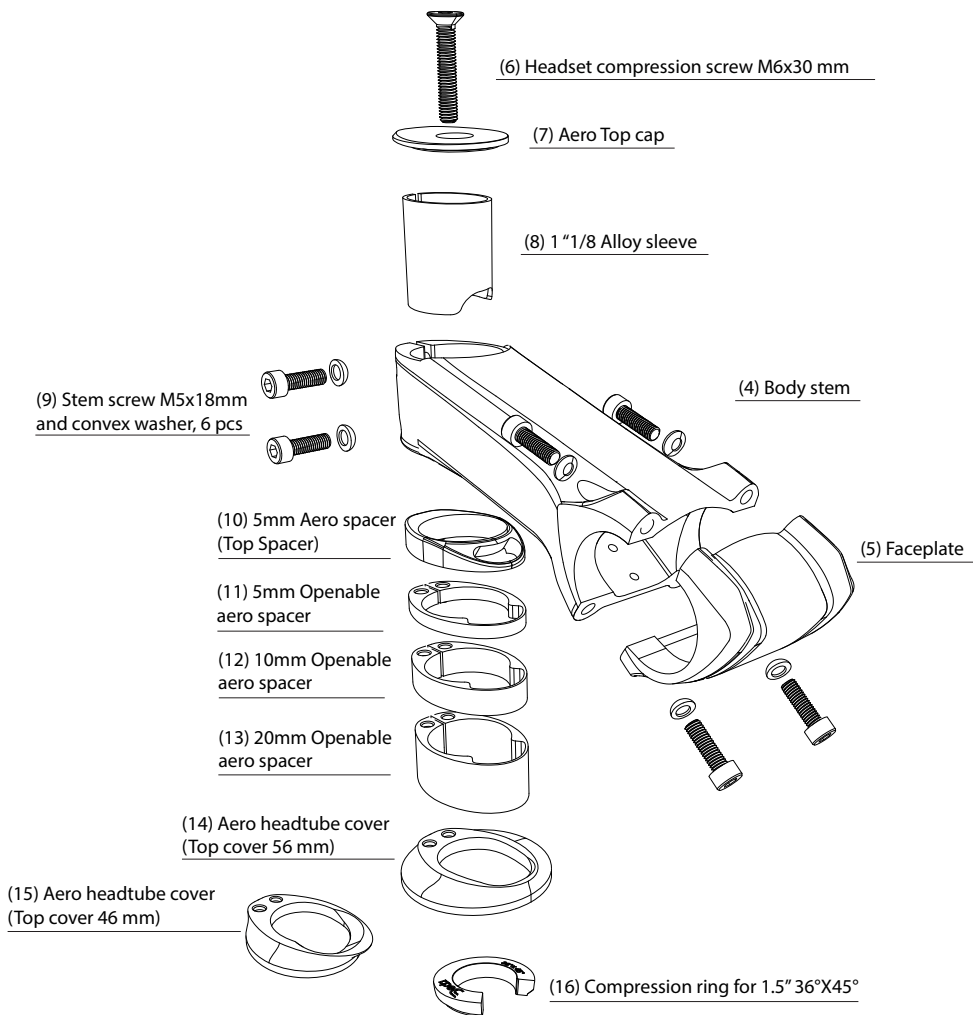
The following parts are included with the handlebar:

- 1) Handlebar
- 2) Foil, 2 pcs
- 3) Foil screw M3x6 mm, 2 pcs



The following parts are included with the stem:

- 4) Body stem
- 5) Faceplate
- 6) Headset compression screw M6x30 mm
- 7) Aero top cap
- 8) 1"1/8 alloy sleeve
- 9) Stem screw M5x18 mm and convex washer, 6 pcs
- 10) 5 mm Aero spacer (top spacer)
- 11) 5 mm Openable aero spacer
- 12) 10 mm Openable aero spacer
- 13) 20 mm Openable aero spacer
- 14) Aero headtube cover (Top cover 56 mm, for 1,5" bearing)
- 15) Aero headtube cover (Top cover 46 mm, for 1"1/8 bearing)
- 16) Grey compression ring for ACR system (1,5" bearing 36°x45°)



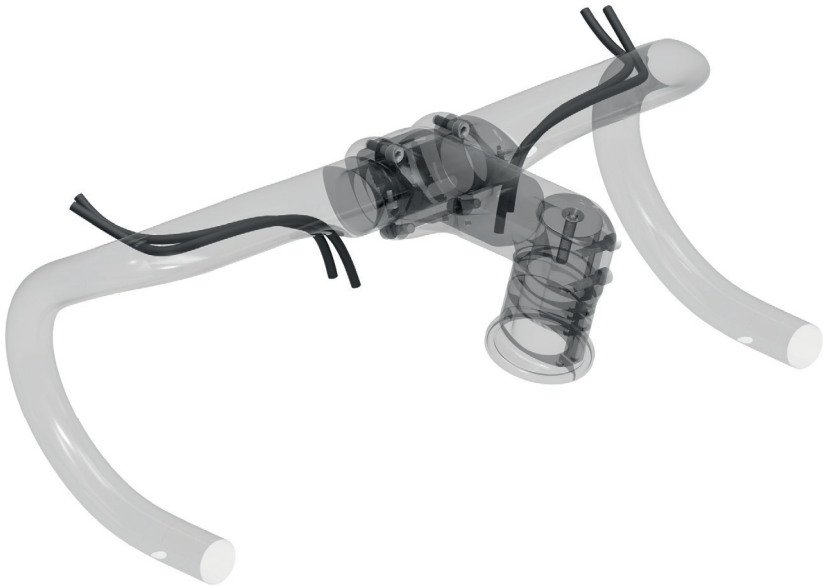
Vinci, handlebar and stem, are compatible both for external and full internal cable routing.

TRADITIONAL FRAMESET

In case of assembling on traditional frameset, cables will enter close to the levers and will go out from central holes. Here below a picture showing the cables passages. In this case the headset top cover of 46 mm could be used (15).

Remark:

The bikes with external cable routing and 1"1/4 are compatible with Vinci. In this case assemble the stem without the alloy sleeve (8) and topcover 52 mm (sold separately).



DCR FRAMESET

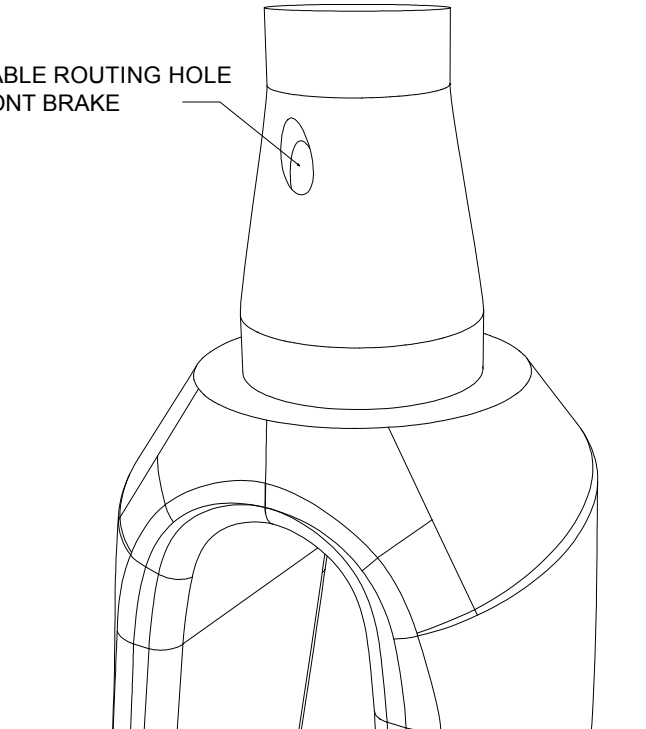
DCR frameset uses a fork with forktube 1" 1/8 and headset upper bearing of 1,5". In this case the headset top cover of 56 mm (14) and compression ring of 1,5" (16) could be used.

In order to use the complete internal cables routing, the frame and the fork have to be compatible. Here below the features to be met.

Fork:

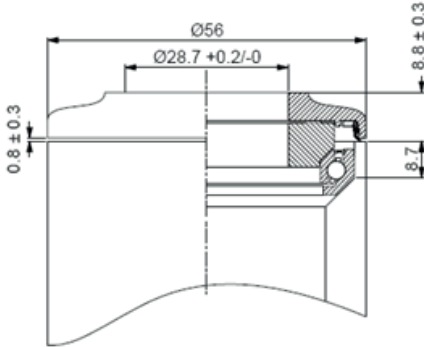
The fork should have an hole for the entrance of the brake front cable in the forktube in order to allow the cable routing up to the exit on the braking area.

INTERNAL CABLE ROUTING HOLE
FOR THE FRONT BRAKE



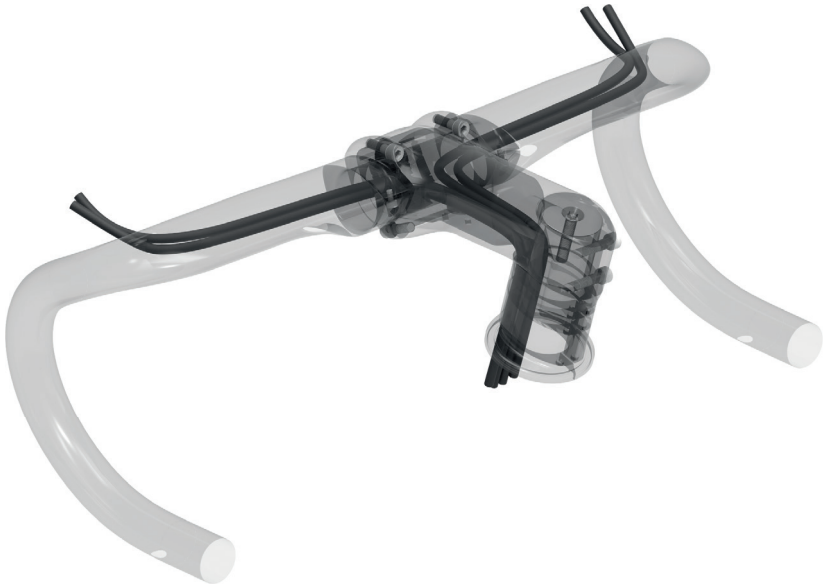
UPPER BEARING POSITION:

Upper bearing position has to observe following dimensions:



In case of assembling on DCR frameset, cables will enter close to the levers and will go out under the stem, passing across the spacers, top cover of 56 mm (14) and compression ring (16).

Here below a picture showing the full internal cables routing.



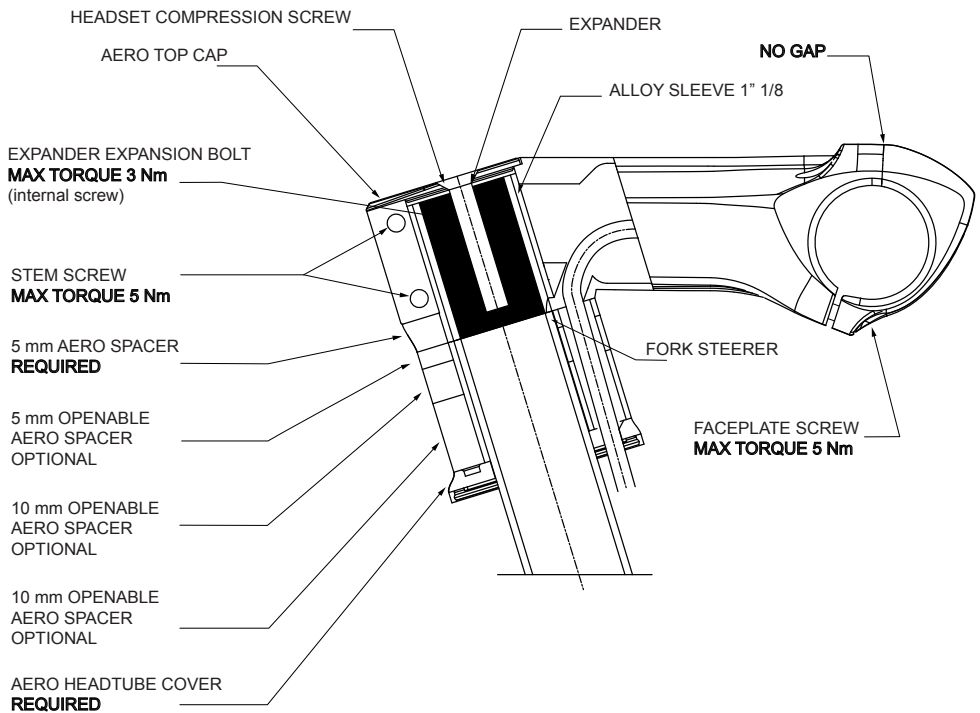
“D-SHAPE” FORK FRAMESET

This frameset has got an upper bearing of 1” 1/8 and a “D-shape” fork of 1” 1/8. In this case the headset top cover of 46 mm (15) could be used.

In case of assembling on “D-shape” fork, cables will enter close to the levers and will go out under the stem, passing across the spacers and top cover of 46 mm (15).

To view the cable routing refer to the previous image.

TECHNICAL SPECIFICATIONS



1. Replacement of the original headset topcap with the Vinci topcap (included). Two topcaps are supplied: one compatible with headtubed of 46 mm (15) and one of 56 mm (14). With this last one also the compression ring has to be replaced with the one supplied (16).

Remark:

The bikes with external cable routing and 1"1/4 are compatible with Vinci. In this case assembly the stem without the alloy sleeve (8) and topcover 52 mm (sold separately).

■ 2. Install spacers on the fork steerer above the top cover following below instructions:

- It is mandatory to use the 5 mm Aero spacer (10) and it must be installed directly under the handlebar stem.
- 5 mm (11), 10 mm (12) and 20 mm (13) Aero spacers are optional. They can be used to adjust the stack height according to the desired handlebar position.
- The gap between the top of the handlebar stem and the top of the fork steerer must be within a range of 3 to 4 mm. If necessary, cut fork steerer according to manufacturer's instructions.

Ensure there are no sharp burrs on the steerer tube.

WARNING: Do not put spacers above the stem. The lower edge of the stem, which applies pressure on an area not supported by the expander, will cause fork steerer ovalization and dangerous cuts and serious risks for your safety.

■ 3. Install the handlebar (1) on the stem tightening the upper screws of the face-plate up to gap, loosening the lower screws in order to allow the stem to rotate. At this point, insert the stem into the fork tube with lateral fixing screws loosened in order to allow the stem to slide along the tube.

WARNING: In case of assembling of full internal cables routing, please carry out the the cables routing before proceeding to the next step.

REMARK: use the adapter (8) for forks 1"1/8

■ 4. Install the expander (not included) in the fork steerer until it stops, and tighten the expansion bolt at maximum of 3 Nm.

WARNING: Make sure that the expander has enough length to ensure the stem rear screws seat on the expander portion of the fork steerer. This will reduce the risk of fork steerer notching while tightening the stem rear bolts.

- 5. Install the Aero top cap and tighten the compression bolt to preload the headset bearings and adjust the headset play.

WARNING: Overtightening can damage the ball bearings that could get stuck under stress.

Follow carefully the tightening torque recommended for the operation and maintenance manual of the headset you use.

- 6. Ensure handlebar is aligned straight in relation to the direction of travel.

Tighten the two rear stem screws alternately, turning $\frac{1}{2}$ turn at a time, until a minimum torque of 4Nm is reached. If the handlebar stem is not tight enough, increase the torque up to a maximum of 5 Nm. Please check the handlebar stem, which should not rotate on the fork steerer.

WARNING: Always use a calibrated torque wrench to tighten the bolts. Use the minimum stem bolts tightening torque required to ensure that the handlebar stem does not rotate on the fork steerer (Max. 5 Nm). An unnecessarily high torque generates a dangerous state of radial compression on the fork steerer which can cracks and/or break without notice.

- 7. Rotate the handlebar to the desired position and tighten alternatively the faceplate lower screw, $\frac{1}{2}$ rev. each time, up to the reaching of the locking couple of 5 Nm.

CONTACTS

For any question or technical information please contact Deda Elementi by visiting the website at www.dedaelementi.com and through the email address info@dedaelementi.com.

Dedaindustrie s.r.l. reserves the right to modify without notice the content of this manual always guaranteeing the availability of the updated versions on the website download area.



www.dedaelementi.com

Dedaindustrie S.r.l.
Via Leonardo Da Vinci 19/21/23
26010 Campagnola Cremasca (CR) - Italia
Phone +39 0373 750 129
Fax +39 0373 751 105



www.dedaos.com.tw

Deda OS
No.8, Lane 150-30, Sec. 3, Xitun Rd.,
Xitun Dist.
Taichung City 407, Taiwan (R.O.C.)
tel: +886-4-24623436
fax: +886-4-24623430



#ridededa

