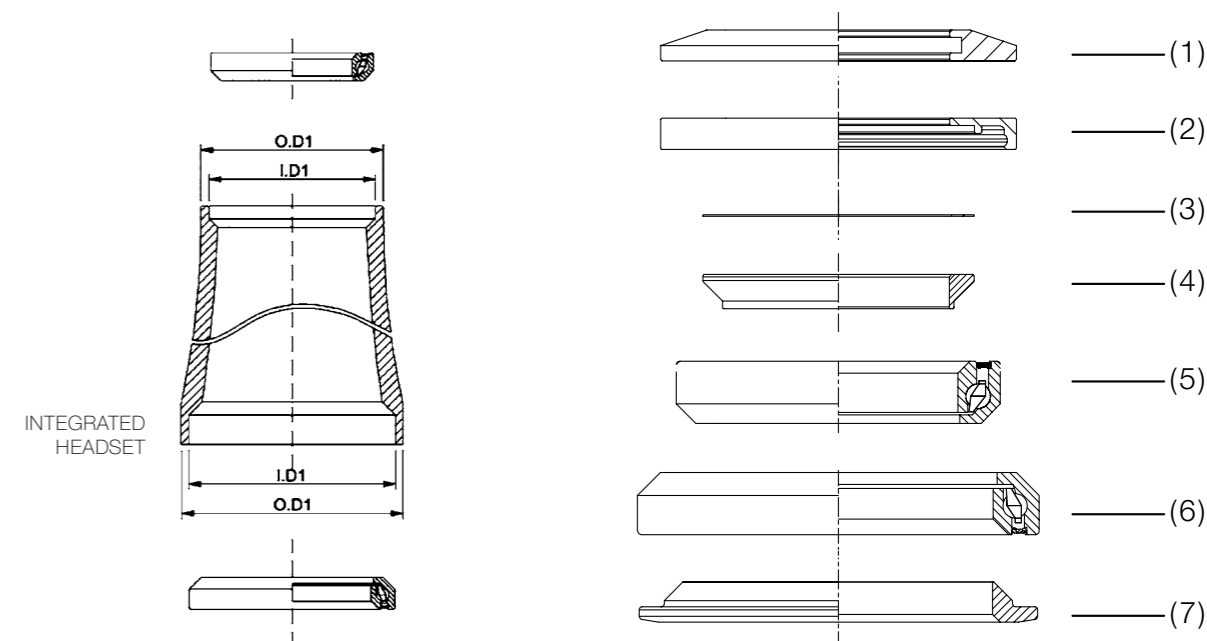


Headset	(1)	(2)	(3)	(4)	(5)	(6)	(7)
IN-4	"HDTPA46 alloy, Ø46mm HDTPC46 carbon, Ø46mm"	"HDTC46 alloy Ø46mm"	HDMS*	"HDCOMPRIN nylon grey"	"HDB8INSUJ 41,8X30,5X8 mm"	"HDB4INSUJ 46,9X34,1X7 mm"	HDCR4IN
IN-5	"HDTPA46 alloy, Ø46mm HDTPC46 carbon, Ø46mm"	"HDTC46 alloy Ø46mm"	HDMS*	"HDCOMPRIN nylon grey"	"HDB8INSUJ 41,8X30,5X8 mm"	"HDB5INSUJ 51,9X40X8 mm"	HDCR5

(\* ) masterpack 10PCS



ARTICOLO	MODELLO	TUBO STERZO SUPERIORE		CUSCINETTO SUPERIORE			TUBO STERZO INFERIORE		CUSCINETTO INFERIORE			ALTEZZA SERIE STERZO (mm)
		Upper Frame Headtube		Upper Bearing			Lower Frame Headtube		Lower Bearing			Stack Height (mm)
Item	Model	O.D1 (mm)	I.D1 (mm)	Type	Bearing Contact Angle	Bearing size (mm)	O.D1 (mm)	I.D1 (mm)	Type	Bearing Contact Angle	Bearing size (mm)	
IN-4	Integrated	46	42	1 1/8"	45° x 45°	41,8x30,5x8	52	47	1 1/4"	45° x 45°	46,9x34,1x7	9,6 (8,8+0,8)
IN-5	Integrated	46	42	1 1/8"	45° x 45°	41,8x30,5x8	56	52	1,5"	45° x 45°	51,9x40x8	9,6 (8,8+0,8)