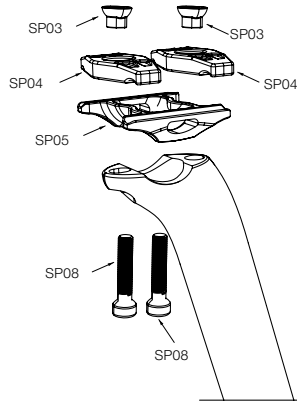
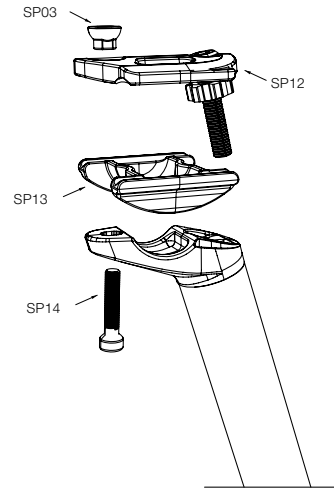


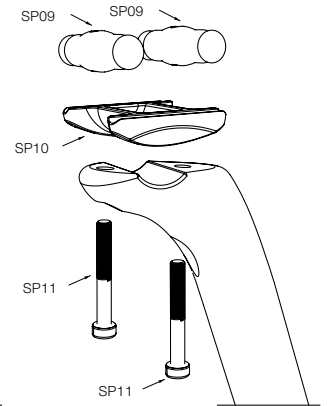
- SUPERLEGGERO  
- SUPERLEGGERO 0 mm  
- ZERO 100



- SUPERZERO



- ZERO2  
- ZERO1



- RS01

## SEATPOST SPARE PARTS

Deda Part	Description	Material	Finish	Superleggero	Superleggero 0mm	Superzero	Zero100	Zero2	Zero1	RS01
SP01	Seatpost Fixing bolt M7 X 30mm titanium	titanium	titanium	Y	Y	-	Y	-	-	-
SP02	Seatpost Fixing bolt M7 X 30mm steel	steel	Chrome plated	Y	Y	-	Y	-	-	-
SP03	Seatpost End-Nut (1 piece)	steel	Chrome plated	Y	Y	Y	Y	-	-	-
SP04	Seatpost Upper plate	alloy	black-	Y	Y	Y	Y	-	-	-
SP05	Seatpost Lower plate	alloy	black	Y	Y	Y	Y	-	-	-
SP06	Seatpost barrel nut	alloy	black	-	-	-	Y	-	-	-
SP06a	Seatpost barrel nut	alloy	black	Y	Y	-	-	-	-	-
SP07	Seatpost Fixing bolt M6 X 30mm titanium	titanium	titanium	Y	Y	Y	Y	-	-	-
SP08	Seatpost Fixing bolt M6 X 30mm steel	steel	Chrome plated	Y	Y	Y	Y	-	-	-
SP09	Cylinder Upper plate (1 piece)	alloy	silver	-	-	-	-	-	-	Y
SP10	Seatpost Lower plate	alloy	silver	-	-	-	-	-	-	Y
SP11	Seatpost Fixing bolt M6 X 40mm steel	steel	Chrome plated	-	-	-	-	-	-	Y
SP12	Upper plate kit (including bolt)	-	-	-	-	-	-	Y	Y	-
SP13	Seatpost Lower plate	alloy	black	-	-	-	-	Y	Y	-
SP14	Seatpost Fixing bolt M6 X 25mm steel	steel	Chrome plated	-	-	-	-	Y	Y	-